

# Pressure gauges

## Mod. M043.. - M053.. - M063..

Precision classes CL1,6 and CL2,5

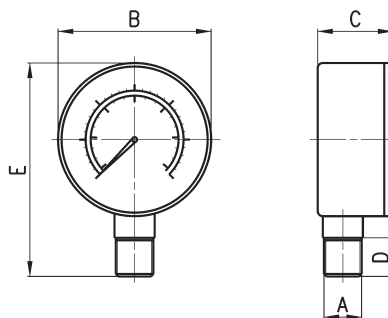


- » Radial connection
- » Rear connection
- » Panel mounting

**To select the most suitable pressure gauge, the measurement range should be chosen considering the type of application according to the following criteria:**

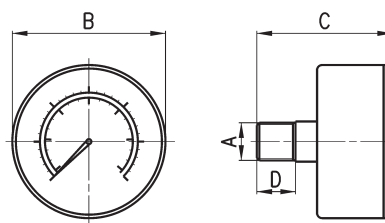
1. Constant pressure or pressure with slow fluctuations should be within 75% of the maximum scale value.
2. Pulsing pressure or rapid fluctuations should be within 65% of the maximum scale value.
3. Pressure peaks should never exceed the maximum scale value.

## Pressure gauges with radial connection

 Precision class CL1,6 (mod. M063...)  
 Precision class CL2,5 (mod. M043... and M053...)


DIMENSIONS						
Mod.	A	B	C	D	E	Range
<b>M043-R06</b>	R1/8	Ø 40,5	24,5	10	57	0-6 бар
<b>M043-R12</b>	R1/8	Ø 40,5	24,5	10	57	0-12 бар
<b>M053-R12</b>	R1/8	Ø 52,5	29	10	70	0-12 бар
<b>M063-R12</b>	R1/4	Ø 63	28	12	83	0-12 бар

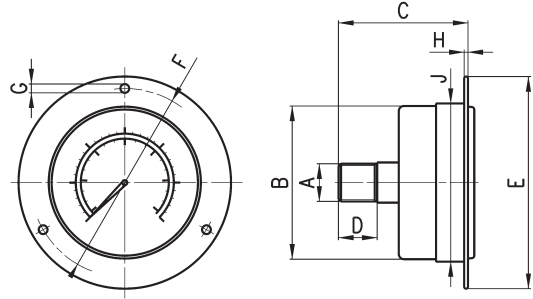
## Pressure gauges with rear connection

 Precision class CL1,6 (mod. M063...)  
 Precision class CL2,5 (mod. M043... and M053...)


DIMENSIONS					
Mod.	A	B	C	D	Range
<b>M043-P04</b>	R1/8	Ø 40	39,5	10	0-4 бар
<b>M043-P06</b>	R1/8	Ø 40	39,5	10	0-6 бар
<b>M043-P10</b>	R1/8	Ø 40	39,5	10	0-10 бар
<b>M043-P12</b>	R1/8	Ø 40	39,5	10	0-12 бар
<b>M053-P04</b>	R1/8	Ø 53	45	10	0-4 бар
<b>M053-P06</b>	R1/8	Ø 53	45	10	0-6 бар
<b>M053-P10</b>	R1/8	Ø 53	45	10	0-10 бар
<b>M053-P12</b>	R1/8	Ø 53	45	10	0-12 бар
<b>M063-P04</b>	R1/4	Ø 62,5	45,5	12	0-4 бар
<b>M063-P06</b>	R1/4	Ø 62,5	45,5	12	0-6 бар
<b>M063-P12</b>	R1/4	Ø 62,5	45,5	12	0-12 бар

Pressure gauges for panel mounting

Precision class CL1,6 (mod. M063...)  
 Precision class CL2,5 (mod. M043... and M053...)



DIMENSIONS										
Mod.	A	B	C	D	E	F	G	H	J	Range
<b>M043-F04</b>	R1/8	Ø 41	38	10	Ø 60,5	53	Ø 3,5	1,2	42,5	0-4 bar
<b>M043-F06</b>	R1/8	Ø 41	38	10	Ø 60,5	53	Ø 3,5	1,2	42,5	0-6 bar
<b>M043-F10</b>	R1/8	Ø 41	38	10	Ø 60,5	53	Ø 3,5	1,2	42,5	0-10 bar
<b>M043-F12</b>	R1/8	Ø 41	38	10	Ø 60,5	53	Ø 3,5	1,2	42,5	0-12 bar
<b>M063-F12</b>	R1/4	Ø 62	43	12	Ø 84	74,5	Ø 3,5	1,2	63,5	0-12 bar

# Series PG digital pressure gauges

New

Possibility of a direct mounting with rear or panel connection



- » Pressure unit on display
- » Battery powered
- » Easy and fast read out with digital display
- » 4 user programmable pressure units available
- » Power saving mode
- » Back light
- » Dust-proof and splash-proof (IP65 protection class)

The new Series PG digital pressure gauges meet the need of an even more precise pressure adjustment, above all in proportional control.

Thanks to the IP65 protection class these pressure gauges are particularly suitable for applications where the highest environmental protection is required.

## TECHNICAL DATA

New 

## CHARACTERISTICS

	PG...-PB...	PG...-VB...
<b>Pressure units (programmable by the user)</b>	psi, bar, mmHg, kPa	psi, bar, kgf/cm <sup>2</sup> , MPa
<b>Rated pressure range</b>	0 + 1 bar	0 + 10 bar
<b>Display pressure range</b>	0.1 + -1 bar	-0.1 + 10 bar
<b>Withstand pressure</b>	3 bar	15 bar
<b>Repeatability</b>	≤ ± 1% F.S. ± 1 digit	≤ ± 0,2% F.S. ± 1 digit
<b>Indicator accuracy</b>	≤ ± 2% F.S. ± 1 digit (ambient temperature: 25 ± 3°C)	
<b>Medium</b>	Filtered air, incombustible and non-corrosive gases	
<b>Battery: Type</b>	CR 2032 lithium	
<b>Life</b>	1 year (5 times/day)	
<b>Low-power indicator</b>	Yes	
<b>Replacement</b>	Yes	
<b>Back light</b>	Yes	
<b>Turn-on interval</b>	Display turns off after 60 seconds	
<b>Sample rate</b>	2 Hz (2 times/second)	
<b>LCD display</b>	3 ½ digit, 7 segment	
<b>Environment: Protection class</b>	IP65 (an air tube must be installed un tubo per l'aria to maintain this grade)	
<b>Temperature</b>	Operation: 0 + 50°C Storage: -10 + 60°C (no condensation or freezing)	
<b>Relative humidity</b>	Operation/storage: 35 + 85% RH (no condensation)	
<b>Vibrations</b>	Total amplitude 1.5mm or 10G 10Hz-55Hz-10Hz scan for 1 minute 2 hours for each direction of X, Y and Z	
<b>Shock</b>	100 m/s <sup>2</sup> (10G) 3 times for each direction of X, Y and Z	
<b>Changes due to temperature</b>	≤ ± 2% F.S. of detected pressure (25°C) within the operating temperature range	
<b>Pneumatic connections ports</b>	G1/4 - M5 or G1/8 - M5	

3

TREATMENT

**CODING EXAMPLE**

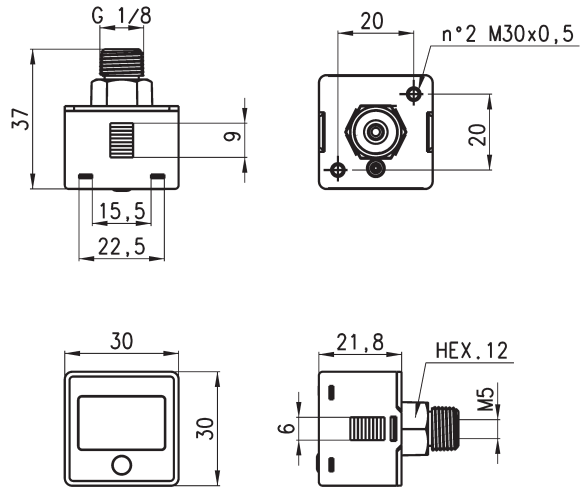
<b>PG</b>	<b>010</b>	<b>-</b>	<b>P</b>	<b>B</b>	<b>-</b>	<b>1/8</b>
-----------	------------	----------	----------	----------	----------	------------

<b>PG</b>	SERIES
<b>010</b>	BOTTOM SCALE: 010 = 10 bar 001 = -1 bar
<b>P</b>	PRESSURE RANGE: P = pressure V = vacuum
<b>B</b>	LIGHTING: B = back light
<b>1/8</b>	PNEUMATIC CONNECTIONS: 1/8 = G 1/8 BSPP; M5 1/4 = G 1/4 BSPP; M5

**3**

TREATMENT

## Series PG digital pressure gauges

**New**


Mod.

**PG010-PB-1/8**
**PG001-VB-1/8**
**PG010-PB-1/4**
**PG001-VB-1/4**

