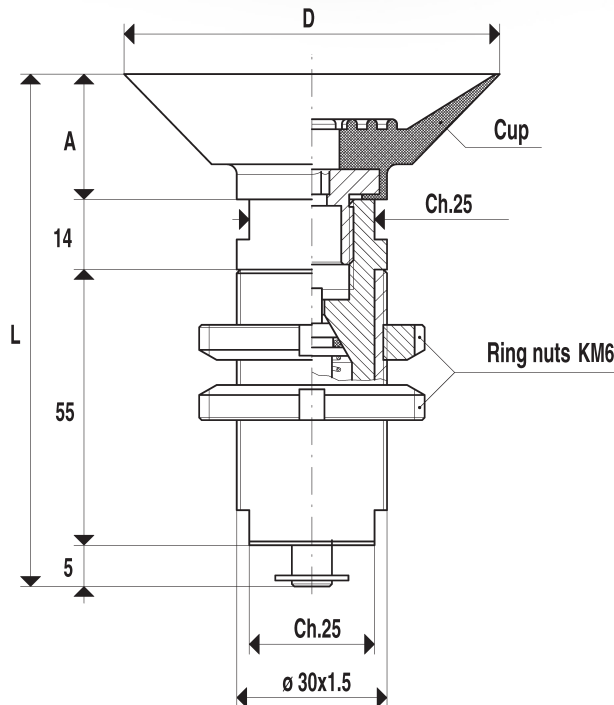




[Self-locking cups with traction release]



Their use does not require any connection to a vacuum source, being the load itself that makes air evacuate from their interior, when it is placed on them; a non-return valve enclosed in them, does not allow air to enter again, thus keeping them in vacuum condition.

In order to release the piece retained, it is sufficient to lift it a few millimeters, then the non-return valve restores the atmospheric pressure by allowing air into the cup and consequently releases the piece.

Due to the fact that possible losses cannot be recovered, this kind of cup is suggested only to lock pieces having smooth and waterproof surfaces such as glasses, bright plates, glazed marble and similar items.

They are particularly suitable for glass carrying trolleys and feeding trolleys for robotic systems. Self-locking cups are available in sizes ranging from 50 to 100 mm diameter. Upon request they can also be supplied with larger diameters.

Art.	Force Kg.	A	D Ø	L	Cup Art.
17 50 40	4.90	16	50	90	08 50 40
17 60 10	7.06	22	60	96	08 60 10
17 75 40	11.04	25	75	99	08 75 40
17 85 10	14.18	41	85	115	08 85 10
17 100 40	19.62	26	100	100	08 100 40
17 100 50	19.62	30	100	104	08 100 50