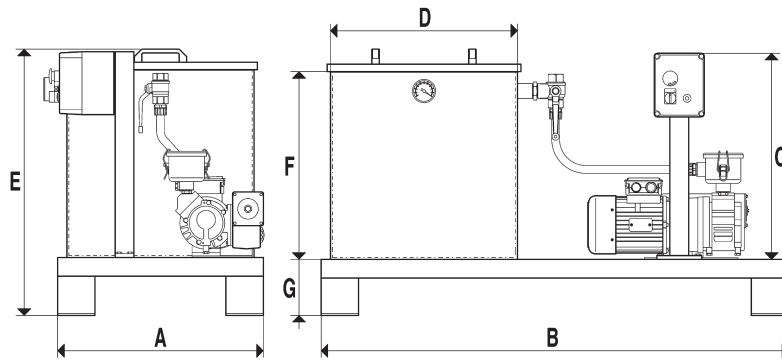
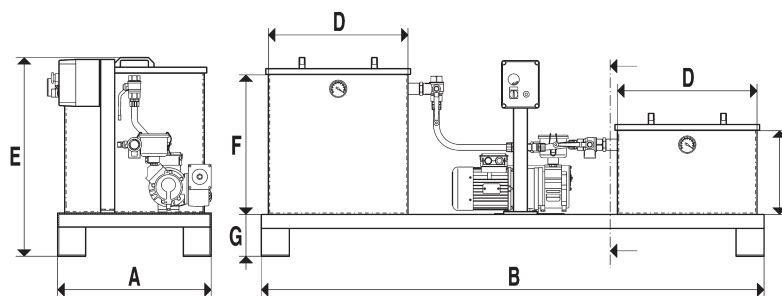


[Degassing devices]



ART.DR 100



ART.D2R 150

Degassing devices consist of:

- One or two welded steel plate containers with perfect vacuum seal, provided with covers in transparent plexiglas that can be removed by hand.
- A lubricated pump with rotating vanes, for high vacuum.
- One or two vacuum gauges for directly reading the vacuum degree in the container.
- One or two three-way manual valves, for intercepting vacuum.
- A switchgear contained in a special protected box.
- A structural steel frame for assembling all above described components.

Inside their tight container, the degassing devices can reach a final vacuum degree of 99,5%.

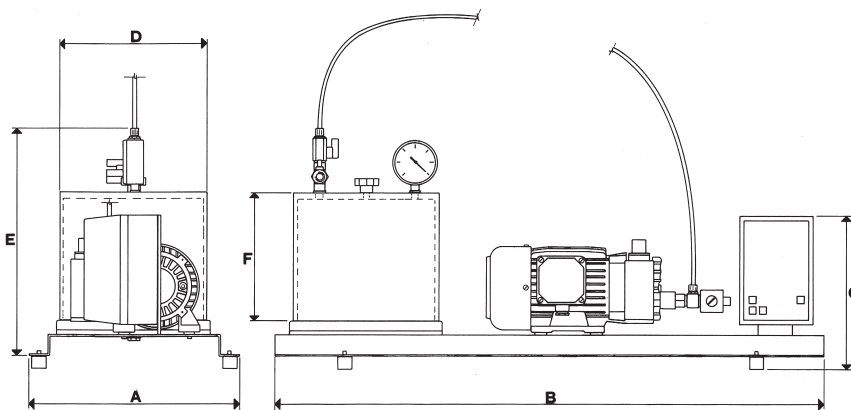
They are suitable for degassing synthetic resins, composite materials, silicone compounds, etc.

With small variations and with the aid of insulating or waterproofing resins, they can be used for vacuum-impregnating windings for electric motors, transformers, electric coils, etc.

Upon request they can also be supplied in different versions.

Art.	Tank Litres	pump mod.	A	B	C	D Ø	E	F	G
DR 100	100	MV 20A	550	1250	550	500	715	500	150
	100	MV 40A	550	1250	550	500	715	500	150
D2R 150	100+50	MV 20A	550	1800	300	500	715	500	150
	100+50	MV 40A	550	1800	300	500	715	500	150

[Instruments for vacuum tests]



The instruments for vacuum tests consist of:

- A mobile hood in transparent plexiglas.
- A supporting surface with gasket.
- A dry vacuum pump with rotating vanes.
- Two two-way manual valves, for intercepting vacuum.
- A vacuum gauge for directly reading the vacuum degree.
- A small vacuum switch for adjusting the vacuum degree.
- A switchgear contained in a special protected box.
- A bent steel plate frame, with anti-vibrating feet, for assembling all above described components.

The vacuum degree that can be reached in the hood depends on the pump installed.

These instruments have been manufactured in order to test the weldings, that is the holding of cellophane or PVC packagings of snacks or of other foodstuffs.

Actually, the package, which is inside the hood, tends to swell due to the pressure difference forming between the air at atmospheric pressure contained inside and the vacuum created by the hood: the higher the vacuum degree reached in the hood, the higher the thrust the air contained in the package exerts on walls and, consequently, on weldings.

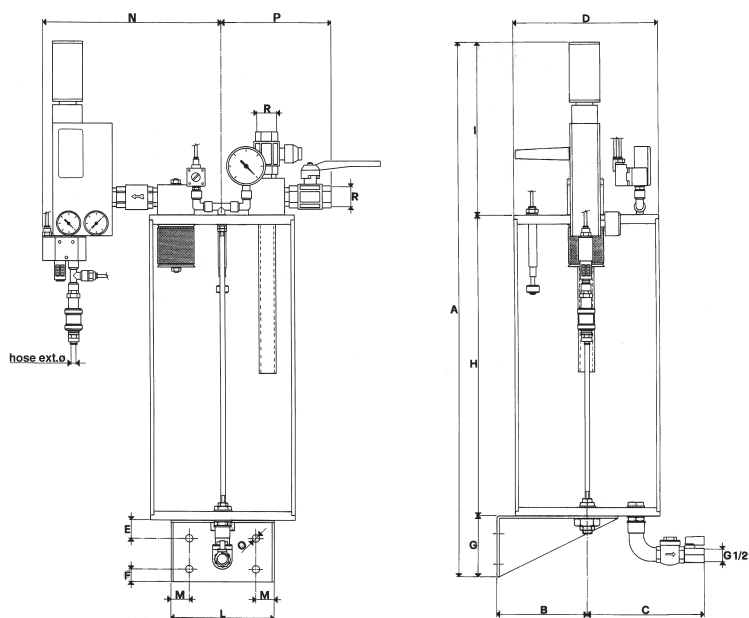
The test values can be adjusted and repeated automatically.

Upon request these units can also be supplied in different versions.

Art.	Hood Litres	Pump mod.	A	B	C	D Ø	E	F
ATS 05	5.5	VTS 4M	300	900	250	200	360	180
ATS 20	21.5	VTS 10M	500	900	250	400	360	180



[Suction assemblies with syphon filter]



The suction assemblies shown on this page have been manufactured in order to allow to suck fluids which are saturated with condensates or mixed with water.

They include all the best features of syphon filters and vacuum generators: actually, syphon filters keep liquids and solid impurities, while the vacuum generator can suck saturated steam fluids or condensate of liquids, without altering its own performances.

These units consist of:

- A standard syphon filter, already described on page 5.05.
- A vacuum generator operated by compressed air.
- A pneumatic vacuum switch for adjusting the vacuum degree.
- A pneumatic valve for feeding the vacuum generator controlled by the vacuum switch.
- A sleeve valve for intercepting compressed air.

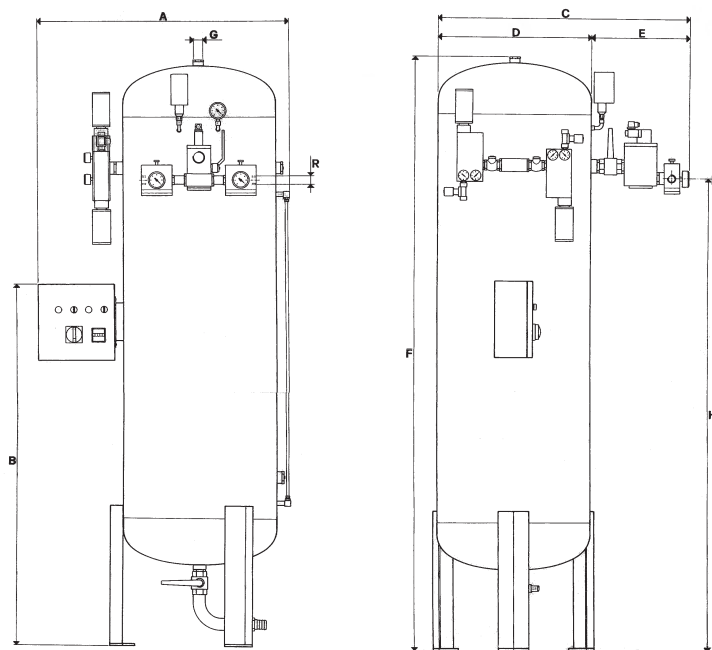
The holding of the vacuum degree in the plexiglas container, preset by means of the vacuum switch, is completely automatic. The suction assemblies with syphon filter are suitable for interlocking stirring systems with cups for taking glasses, marbles, granite, light alloys, and in all cases where there is a considerable presence of refrigerating liquids.

They are also recommended for sucking creamy or muddy substances, hard to handle with traditional pumps.

The described suction assemblies are fed by compressed air at a pressure of 4÷6 bar only. Upon request they can also be supplied in different versions.

Art.	Cap. Litres	Generator art.	A	B	C	D Ø	E	F	G	H	I	L	M	N	O	P	R Hose Ø ext. Ø
GA FS 20	12.5	PVP 25MD	790	130	175	200	25	20	100	400	290	150	25	260	10	145	1/2" 8
GA FS 25	22.5	PVP 50MD	890	150	195	240	25	20	100	500	290	170	30	290	11	180	3/4" 8
GA FS 30	42	PVP 75MD	1050	190	225	300	30	20	120	600	330	200	40	330	11	220	1" 12

[Pumpsets for suction of liquids]



The function of these pumpsets is to suck liquids and accumulate them inside their own tank.

The maximum difference in height that can be passed by the water is approx. 9 meters.

They consist of:

- A big tank in welded steel plate.
- One vacuum generator operated by compressed air.
- A vacuum switch for the adjustment of the operative vacuum degree range.
- A vacuum gauge for directly reading the vacuum degree in the tank.
- A liquid level window.
- Two minimum and maximum level magnetic switches.
- A three-way solenoid valve line for restoring the atmospheric pressure in the tank, with consequent automatic drainage of the accumulated liquid.
- Two vacuum reducers for adjusting the vacuum degree to the using point.
- Three manual valves for intercepting vacuum.
- A switchgear contained in a special protected metal box, for selecting the manual or automatic operation.

Pumpsets for the suction of liquids are normally used for extracting the water contained in the filters of washing machines or dishwashers, that is not possible to drain automatically, after testing them. They are also recommended in all cases where it is necessary to transfer very dense liquids, as well as creamy or muddy substances.

Upon request they can also be supplied in different versions.

Art.	Tank. Litres	Generator art.	A	B	C	D Ø	E	F	G Ø	H	R Ø
DVL 150	150	PVP 75MD	780	900	700	400	300	1600	1"	1220	3/8"
DVL 300	300	PVP 75MD	880	1150	800	500	300	1890	2"	1470	3/8"
DVL 500	500	PVP 150MD	980	1450	1000	600	400	2220	2"	1800	1/2"
DVL 1000	1000	PVP 300MD	1180	1450	1200	800	400	2480	3"	2000	1"