

Accessories for the air treatment



Rapid clamps for Series MX



Rapid clamps with brackets for Series MX



Terminal flanges (IN/OUT) for Series MX



Fixing brackets for regulators Series MX



Terminal flanges for Series MC (kit A)



Mounting brackets for Series MC (kit B)



Mounting bracket for Series MC - M - N - T



Mounting bracket for Series MC - M - N - T



Mounting bracket for Series MC - M - N - T



Mounting bracket for Series MC



Tie-rods for assembling Series MC (kit C)



Tie-rods for assembling Series MC (kit D)



Screws for assembling Series MC (kit E)



Screws for assembling Series MC (kit F)



Screws for assembling Series MC (kit G)



Mounting bracket for Series N



Assembly O-ring for Series MC and MX



Systems of rapid connections designed to make mounting easier.

Rapid clamp kit for Series MX - size 2 and 3

Kit MX2-X supplied with: 1 rapid clamp, 1 O-ring OR 3125 *, 2 exagonal nuts M5, 2 screws M5x69.
 Kit MX2-Z supplied with: 1 rapid clamp, 1 O-ring OR 3125 *, 1 exagonal nut M5, 1 screw M5x69, 1 screw M5x85 for wall fixing.

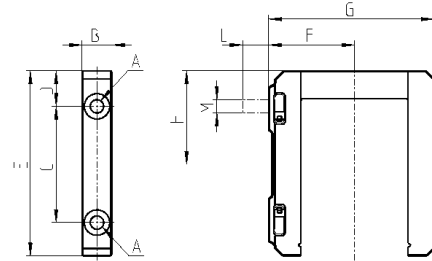
* it can be ordered separately (cod. 160-39-11/19)



Kit MX3-X supplied with: 1 rapid clamp, 1 O-ring OR 3150 **, 2 square nuts M6, 2 screws M6x75.
 Kit MX3-Z supplied with: 1 rapid clamp, 1 O-ring OR 3150 **, 1 square nut M6, 1 screw M6x75, 1 screw M6x90 for wall fixing.

** it can be ordered separately (cod. C401-F33)

Materials: technopolymer clamp, NBR O-ring, zinc-plated steel nuts and screws.



See positioning scheme on p. 3/1.50.04

DIMENSIONS

Mod.	A	B	C	D	E	F	G	H	L	M	Notes
MX2-X	5.2	12	46	14	73.5	37.5	70.5	37	-	-	
MX2-Z	5.2	12	46	14	73.5	37.5	70.5	37	14	M5	kit with wall fixing screw
MX3-X	6.2	14	54	16.5	86	40	77	43.5	-	-	
MX3-Z	6.2	14	54	16.5	86	40	77	43.5	13	M6	kit with wall fixing screw

Rapid clamp kit with wall fixing brackets for series MX - size 2

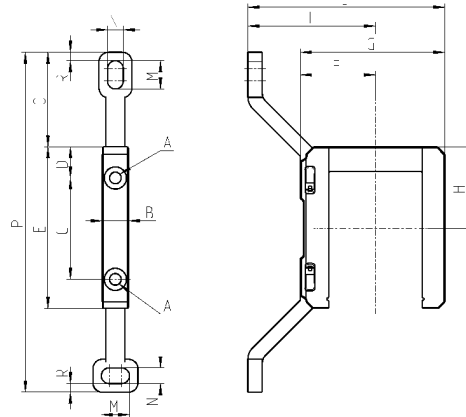
New



The kit MX2-Y is supplied with:
 1 wall rapid clamp, 1 O-ring OR 3125 **, 2 exagonal nuts, 2 screws M5x69.

** it can be separately ordered (cod. 160-39-11/19)

Materials: technopolymer clamp, NBR O-ring, zinc-plated steel nuts and screws.



See positioning scheme on p. 3/1.50.04

Mod.	A	B	C	D	E	F	G	H	I	L	M	N	O	P	R
MX2-Y	5,2	12	46	14	73,5	32,5	70,5	37	70,5	103	12	6,5	42	152	4

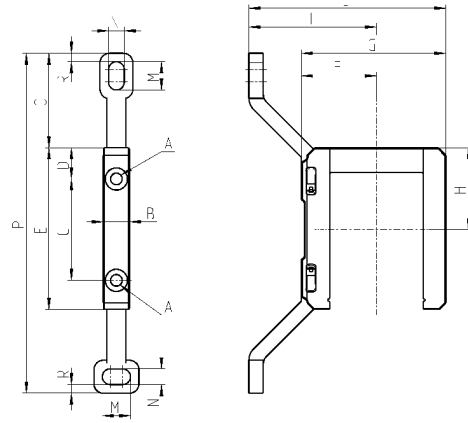
Rapid clamp kit with wall fixing brackets for series MX - size 3



The kit MX3-Y is supplied with:
 1 wall rapid clamp, 1 O-ring OR 3150 **,
 2 square nuts M6, 2 screws M6x75

** it can be also separately ordered (cod. C401-F33)

Materials: technopolymer clamp, NBR O-ring,
 zinc-plated steel nuts and screws.



See positioning scheme on p.
 3/1.50.04

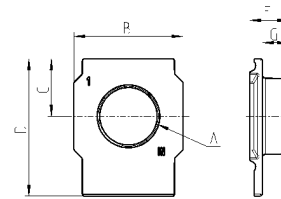
Mod.	A	B	C	D	E	F	G	H	I	L	M	N	O	P	R
MX3-Y	6,2	14	54	16,5	86	40	77	43,5	68	105	15	8,4	50,5	181	4,5

Terminal flanges (IN/OUT) for series MX



The kit is supplied with:
 - 1 flange INLET side
 - 1 flange OUTLET side

Materials: painted aluminium flanges.

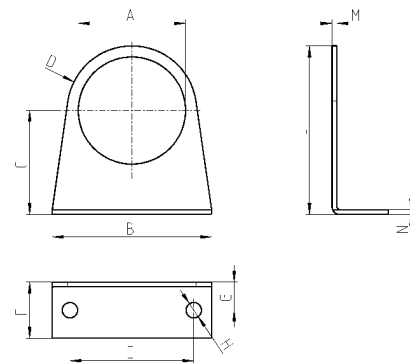


Mod.	A	B	C	D	E	G
MX2-3/8-FL	G3/8	50	26,5	63,5	17	11
MX2-1/2-FL	G1/2	50	26,5	63,5	17	11
MX2-3/4-FL	G3/4	50	26,5	63,5	17	11
MX3-3/4-FL	G3/4	58	30,5	73	20,5	13,5
MX3-1-FL	G1	58	30,5	73	20,5	13,5

Fixing bracket for regulators series MX



The kit is supplied with 1 zinc-plated steel bracket

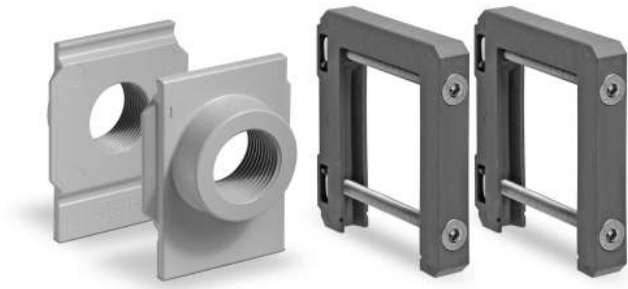


Mod.	A	B	C	D	E	F	G	H	L	M	N
MX2-S	Ø 47,2	73	60,5	R29,5	54	25	15	Ø 6,2	90	2,5	2,5
MX3-S	Ø 57,2	85	55,5	R34,5	66	30	15	Ø 8,2	90	2,5	2,5

Rapid clamps kit + flanges for series MX

See positioning scheme on page 3/1.50.04

For the materials details see page 3/5.07.01-02.

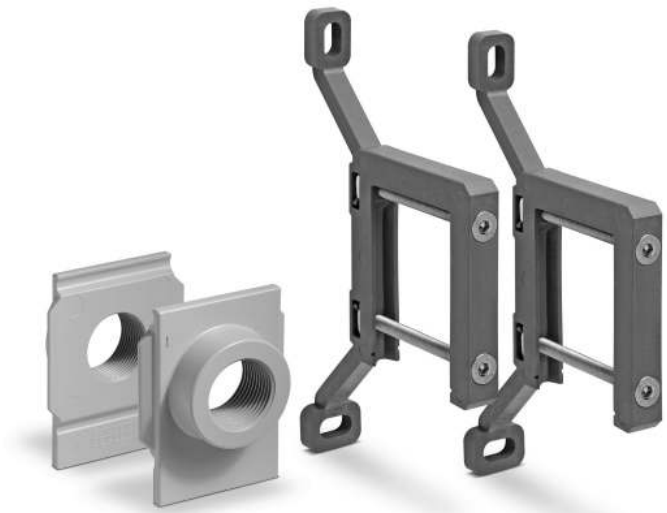


Mod.	The kit is supplied with:
MX2-3/8-HH	1x MX2-3/8-FL + 2x MX2-X
MX2-1/2-HH	1x MX2-1/2-FL + 2x MX2-X
MX2-3/4-HH	1x MX2-3/4-FL + 2x MX2-X
MX2-3/8-JJ	1x MX2-3/8-FL + 2x MX2-Z
MX2-1/2-JJ	1x MX2-1/2-FL + 2x MX2-Z
MX2-3/4-JJ	1x MX2-3/4-FL + 2x MX2-Z
MX3-3/4-HH	1x MX3-3/4-FL + 2x MX3-X
MX3-1-HH	1x MX3-1-FL + 2x MX3-X
MX3-3/4-JJ	1x MX3-3/4-FL + 2x MX3-Z
MX3-1-JJ	1x MX3-1-FL + 2x MX3-Z

Rapid clamps kit with wall fixing brackets + flanges for series MX

See positioning scheme on page 3/1.50.04.

For the materials details see page 3/5.07.01-02.



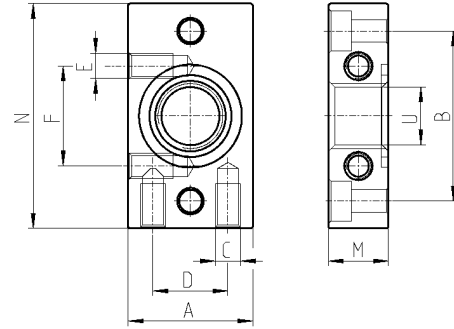
Mod.	The kit is supplied with:
MX2-3/8-KK	1x MX2-3/8-FL + 2x MX2-Y
MX2-1/2-KK	1x MX2-1/2-FL + 2x MX2-Y
MX2-3/4-KK	1x MX2-3/4-FL + 2x MX2-Y
MX3-3/4-KK	1x MX3-3/4-FL + 2x MX3-Y
MX3-1-KK	1x MX3-1-FL + 2x MX3-Y

Terminal flanges for Series MC (kit A)



The kit MC104-FL is supplied with: 1x left flange; 1x right flange; 4x screws M4x14; 2x O-Ring 2068.
Each of the kits MC202-FL and MC238-FL is supplied with: 1x left flange; 1x right flange; 4x screws M5x14; 2x O-Ring 3100.

Materials: painted aluminium flanges, zinc-plated steel screws and NBR O-ring.



DIMENSIONS

Mod.	A	B	C	D	E	F	N	M	U	size
MC104-FL	25	34	M5	15	M5	20	45	12	G1/4	1
MC238-FL	35	44,5	M5	20	-	-	60	14	G3/8	2
MC202-FL	35	44,5	M5	20	-	-	60	14	G1/2	2

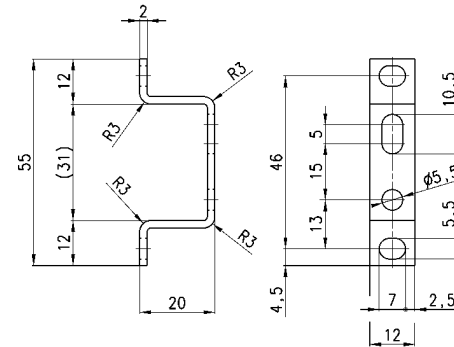
Mounting bracket for Series MC (kit B)

Mounting bracket for terminals 1/4, 3/8, 1.



The kit MC104-ST is supplied with:
- 2x terminal brackets
- 4x screws M5x10

Materials: zinc-plated steel brackets and screws.



DIMENSIONS

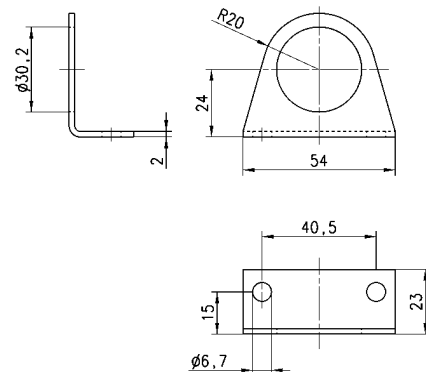
Mod.
MC104-ST

Mounting bracket for Series MC - M - N - T

Mounting bracket R - D (G1/4 - G1/8)



The kit is supplied with:
1x zinc-plated steel bracket.



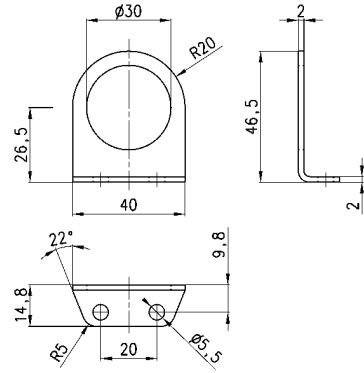
Mod.
C114-ST



Mounting bracket for Series MC - M - N - T

Mounting bracket R-D
(G1/4 - G1/8)

The kit is supplied with 1 zinc-plated steel bracket.



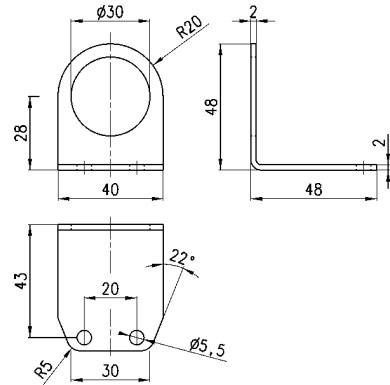
Mod.
C114-ST/1



Mounting bracket for Series MC - M - N - T

Mounting bracket R - D
(G1/4 - G1/8)

The kit is supplied with 1 zinc-plated steel bracket.



Mod.
C114-ST/2

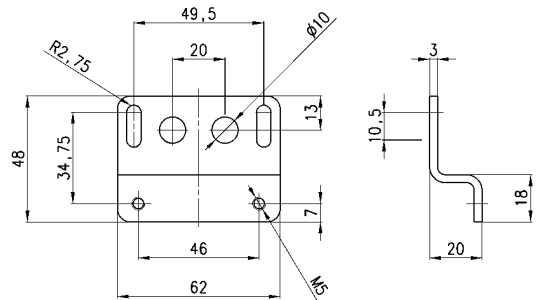


Mounting bracket for Series MC

Mounting bracket for MC238 and MC202

The kit is supplied with:
1 bracket; 2 screws M5X65

Materials: zinc-plated steel bracket and screws.



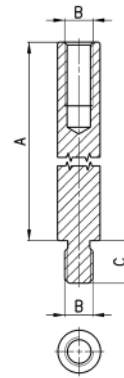
Mod.
C238-ST/1



Tie-rods for assembling, Series MC (kit C)

The kit MC1-TMF is supplied with:
2 male/female tie-rods; 1 O-ring 2068.
The kit MC2-TMF is supplied with:
2 male/female tie-rods; 1 O-ring 3100.

Materials: nickel-plated steel tie-rods and NBR O-ring.



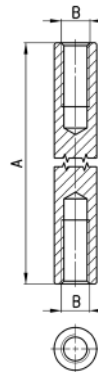
DIMENSIONS				
Mod.	A	B	SW	size
MC1-TMF	45	M4	6	1
MC2-TMF	62	M5	6	2



Tie-rods for assembling, Series MC (kit D)

The kit MC1-TFF is supplied with 2 female tie-rods.
The kit MC2-TFF is supplied with 2 female tie-rods.

Materials: nickel-plated steel tie-rods.



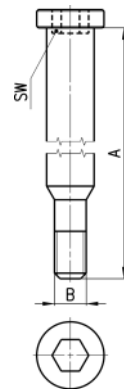
DIMENSIONS			
Mod.	A	B	size
MC1-TFF	44	M4	1
MC2-TFF	61	M5	2



Screws for assembling, Series MC (kit E)

The kit MC1-VM is supplied with:
2 male screws; 1 O-ring 2068.
The kit MC2-VM is supplied with:
2 male screws; 1 O-ring 3100

Materials: zinc-plated steel screws and NBR O-ring.



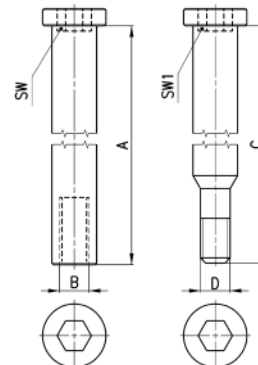
Mod.	A	B	SW	size
MC1-VM	48,5	M4	4	1
MC2-VM	65,5	M5	4	2



Screws for assembling, Series MC (kit F)

The kit is supplied with: 2 male screws; 2 female screws; 1 O-ring (OR 2068 for MC1-VMF; OR 3100 for MC2-VMF).

Materials: zinc-plated steel male screws, nickel-plated steel female screws and NBR O-ring.

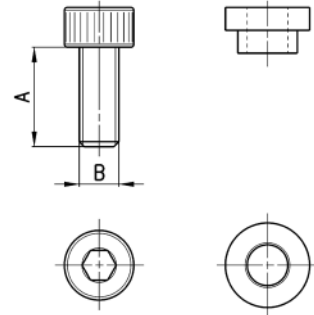


DIMENSIONS							
Mod.	A	B	C	D	SW	SW1	size
MC1-VMF	48,5	M4	42,5	M4	4	4	1
MC2-VMF	65,5	M5	59,5	M5	4	4	2

Screws for assembling Series MC (kit G) to join 2 bodies type "M"


The kit MC1-VMD is supplied with:
 4 screws M4X10; 4 spacers; 2 O-ring 2068.
 The kit MC2-VMD is supplied with:
 4 screws M5X12; 4 spacers; 2 O-ring 3100.

Materials: zinc-plated steel screws, brass spacers and NBR O-ring.

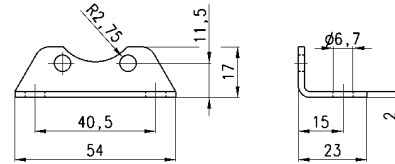


Mod.	A	B	size	
MC1-VMD	10	M4	1	*
MC2-VMD	12	M5	2	*

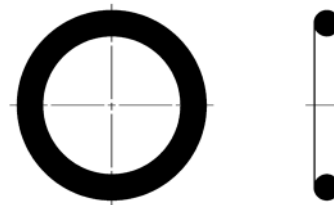
Mounting bracket F-L Series N (for N204)


The kit is supplied with:
 1 bracket
 2 screws M5X6

Materials: zinc-plated steel bracket and screws.



Mod.
N204-ST

O-ring for assembling Series MC - MX


Mod.	O-ring	For assembly	
458-33/1	OR 2068	MC104	
80-26-11/4T	OR 3100	MC238, MC202	*
160-39-11/19	OR 3125	MX2	
C401-F33	OR 3150	MX3	

* spare parts only