

HOSES

TECHNICAL DATA



STRENGTH POINTS

The range of hoses offered by RAASM for its hose reels is in line with company's quality standards and guarantees superb performance in applications with the pressures specified in the catalogue.

For conditions other than those recommended, RAASM will work with the customer to evaluate each and every aspect of the pertinent application (material compatibility with the fluid, working temperature, operating pressure, etc.) to determine the best hose for each specific case.



The hoses mounted on the hose reels must be suitable to handle the operating pressures indicated on the hose reel's label.

HOSES: TECHNICAL DATA



CONNECTION HOSE FOR HOSE REEL - SYSTEM INTERCONNECTION

| P/N | Pressure | Hose length | Hose characteristics | Hose \varnothing | Dimensions - internal \varnothing x external \varnothing | Inlet | Outlet | Connections |
|----------|----------|-------------|----------------------|--------------------|--|---------------|---------------|-------------------|
| 987.205 | 10 bar | 0,6 m | antistatic EPDM | 3/4" | 19 x 27 mm | G 3/4" (f) | G 1/2" (m) | AISI 316 s. steel |
| 987.206 | 10 bar | 0,6 m | antistatic EPDM | 3/4" | 19 x 27 mm | G 3/4" (f) | G 1" (m) | AISI 316 s. steel |
| 995.106 | 10 bar | 0,6 m | atoxic hygienic | 3/8" | 10 x 17 mm | G 3/8" (m) | G 3/8" (f) | galvanized steel |
| 996.106 | 10 bar | 0,6 m | atoxic hygienic | 1/2" | 13 x 20 mm | G 1/2" (m) | G 1/2" (f) | galvanized steel |
| 997.806 | 10 bar | 0,6 m | black rubber | 3/4" | 19 x 27 mm | G 1/2" (m) | G 3/4" (f) | galvanized steel |
| 998.106 | 10 bar | 0,6 m | atoxic hygienic | 1" | 25 x 35 mm | G 1" (m) | G 1" (f) | galvanized steel |
| 972.102 | 20 bar | 1,5 m | polyurethane | 10 x 14,5 | 10 x 14,5 mm | G 3/8" (m) | G 3/8" (f) | brass |
| 975.1002 | 20 bar | 1,5 m | NBR/PVC | 3/8" | 10 x 17 mm | G 3/8" (f) LH | G 3/8" (f) LH | brass |
| 975.902 | 20 bar | 1,5 m | SBR/EPDM | 2 x 3/8" | 9 + 9 x 16 mm | G 3/8" (f) | G 3/8" (f) | brass |
| 976.102 | 20 bar | 1,5 m | polyurethane | 13 x 19 | 13 x 19 mm | G 1/2" (f) | G 1/2" (m) | brass |
| 993.201 | 20 bar | 1 m | black rubber | 1/4" | 6,4 x 13 mm | G 1/4" (f) | G 1/4" (m) | galvanized steel |
| 993.202 | 20 bar | 2 m | black rubber | 1/4" | 6,4 x 13 mm | G 1/4" (f) | G 1/4" (m) | galvanized steel |
| 995.206 | 20 bar | 0,6 m | black rubber | 3/8" | 9,5 x 16 mm | G 3/8" (f) | G 3/8" (m) | galvanized steel |
| 998.305 | 50 bar | 0,6 m | black rubber | 1" | 25,4 x 31,5 mm | G 1" (m) | G 1" (f) | galvanized steel |
| 998.3301 | 50 bar | 1 m | black rubber | 1" | 25,4 x 31,5 mm | G 1" (f) | G 1" (m) | galvanized steel |
| 998.3302 | 50 bar | 2 m | black rubber | 1" | 25,4 x 31,5 mm | G 1" (f) | G 1" (m) | galvanized steel |
| 998.3306 | 50 bar | 0,6 m | black rubber | 1" | 25,4 x 31,5 mm | G 1" (f) | G 1" (m) | galvanized steel |
| 998.406 | 50 bar | 0,6 m | hygienic | 1" | 24,5 x 31,5 mm | G 1" (f) | G 1" (m) | galvanized steel |
| 998.806 | 50 bar | 0,6 m | black rubber | 1" | 25 x 35 mm | G 1" (m) | G 1" (f) | galvanized steel |
| 996.305 | 100 bar | 0,6 m | black rubber | 1/2" | 12,7 x 19 mm | G 1/2" (m) | G 1/2" (f) | galvanized steel |
| 997.3305 | 100 bar | 5 m | black rubber | 3/4" | 19 x 26,5 mm | G 3/4" (f) | G 3/4" (m) | galvanized steel |
| 997.3306 | 100 bar | 0,6 m | black rubber | 3/4" | 19 x 26,5 mm | G 1/2" (m) | G 3/4" (f) | galvanized steel |
| 996.406 | 100 bar | 0,6 m | hygienic | 1/2" | 12,7 x 18,5 mm | G 1/2" (f) | G 1/2" (m) | galvanized steel |
| 995.301 | 150 bar | 1,2 m | black rubber | 3/8" | 9,5 x 16 mm | G 3/8" (m) | G 3/8" (f) | galvanized steel |
| 996.301 | 150 bar | 1 m | black rubber | 1/2" | 12,7 x 19 mm | G 1/2" (f) | G 1/2" (m) | galvanized steel |
| 996.3015 | 150 bar | 1,5 m | black rubber | 1/2" | 12,7 x 19 mm | G 1/2" (m) | G 1/2" (f) | galvanized steel |
| 996.302 | 150 bar | 2 m | black rubber | 1/2" | 12,7 x 19 mm | G 1/2" (f) | G 1/2" (f) | galvanized steel |
| 996.304 | 150 bar | 4 m | black rubber | 1/2" | 12,7 x 19 mm | G 1/2" (f) | G 1/2" (m) | galvanized steel |
| 996.306 | 150 bar | 0,6 m | black rubber | 1/2" | 12,7 x 19 mm | G 1/2" (f) | G 1/2" (m) | galvanized steel |
| 995.506 | 200 bar | 0,6 m | black rubber | 3/8" | 9,5 x 17 mm | G 3/8" (f) | G 3/8" (m) | galvanized steel |
| 995.606 | 200 bar | 0,6 m | hygienic | 3/8" | 9,5 x 17 mm | G 3/8" (f) | G 3/8" (m) | galvanized steel |
| 993.504 | 400 bar | 4 m | black rubber | 1/4" | 6,3 x 17,5 mm | G 1/4" (f) | G 1/4" (m) | galvanized steel |
| 995.701 | 400 bar | 1 m | black rubber | 3/8" | 9,5 x 18 mm | G 3/8" (f) | G 3/8" (m) | galvanized steel |
| 995.702 | 400 bar | 2 m | black rubber | 3/8" | 9,5 x 18 mm | G 3/8" (f) | G 3/8" (m) | galvanized steel |
| 995.706 | 400 bar | 0,6 m | black rubber | 3/8" | 9,5 x 18 mm | G 3/8" (f) | G 3/8" (m) | galvanized steel |
| 995.806 | 400 bar | 0,6 m | black rubber | 3/8" | 9,5 x 17,5 mm | G 3/8" (f) | G 3/8" (m) | galvanized steel |
| 995.906 | 400 bar | 0,6 m | hygienic | 3/8" | 9,5 x 17,5 mm | G 3/8" (f) | G 3/8" (m) | galvanized steel |

Air-water 10 bar

| P/N | Hose length | Hose characteristics | Max. working temperature | Hose ø | Dimensions - internal ø x external ø | Inlet | Outlet | Connections |
|---------|-------------|----------------------|--------------------------|--------|--------------------------------------|------------|------------|------------------|
| 995.112 | 12 m | atoxic hygienic | 95 °C | 3/8" | 10 x 17 mm | G 3/8" (m) | G 3/8" (f) | galvanized steel |
| 996.110 | 10 m | atoxic hygienic | 95 °C | 1/2" | 13 x 20 mm | G 1/2" (m) | G 1/2" (f) | galvanized steel |
| 996.116 | 15 m | atoxic hygienic | 95 °C | 1/2" | 13 x 20 mm | G 1/2" (m) | G 1/2" (f) | galvanized steel |
| 996.120 | 20 m | atoxic hygienic | 95 °C | 1/2" | 13 x 20 mm | G 1/2" (m) | G 1/2" (f) | galvanized steel |
| 996.125 | 25 m | atoxic hygienic | 95 °C | 1/2" | 13 x 20 mm | G 1/2" (m) | G 1/2" (f) | galvanized steel |
| 996.130 | 30 m | atoxic hygienic | 95 °C | 1/2" | 13 x 20 mm | G 1/2" (m) | G 1/2" (f) | galvanized steel |
| 997.115 | 15 m | atoxic hygienic | 95 °C | 3/4" | 19 x 27 mm | G 3/4" (m) | G 3/4" (f) | galvanized steel |
| 997.120 | 20 m | atoxic hygienic | 95 °C | 3/4" | 19 x 27 mm | G 3/4" (m) | G 3/4" (f) | galvanized steel |
| 997.130 | 30 m | atoxic hygienic | 95 °C | 3/4" | 19 x 27 mm | G 3/4" (m) | G 3/4" (f) | galvanized steel |
| 997.140 | 40 m | atoxic hygienic | 95 °C | 3/4" | 19 x 27 mm | G 3/4" (m) | G 3/4" (f) | galvanized steel |
| 998.115 | 15 m | atoxic hygienic | 95 °C | 1" | 25 x 35 mm | G 1" (m) | G 1" (f) | galvanized steel |
| 998.120 | 20 m | atoxic hygienic | 95 °C | 1" | 25 x 35 mm | G 1" (m) | G 1" (f) | galvanized steel |
| 998.130 | 30 m | atoxic hygienic | 95 °C | 1" | 25 x 35 mm | G 1" (m) | G 1" (f) | galvanized steel |

Air-water 20 bar

| P/N | Hose length | Hose characteristics | Max. working temperature | Hose ø | Dimensions - internal ø x external ø | Inlet | Outlet | Connections |
|---------|-------------|----------------------|--------------------------|--------|--------------------------------------|------------|------------|------------------|
| 971.010 | 10 m | polyurethane | 60 °C | 1/4" | 6 x 10 mm | G 3/8" (m) | G 1/4" (m) | brass |
| 971.011 | 11 m | polyurethane | 60 °C | 1/4" | 6 x 10 mm | G 1/4" (m) | G 1/4" (m) | brass |
| 971.015 | 15 m | polyurethane | 60 °C | 1/4" | 6 x 10 mm | G 3/8" (m) | G 1/4" (m) | brass |
| 971.111 | 11 m | polyurethane | 60 °C | 5/16" | 8 x 12 mm | G 1/4" (m) | G 1/4" (m) | brass |
| 971.115 | 15 m | polyurethane | 60 °C | 5/16" | 6 x 12 mm | G 3/8" (m) | G 1/4" (m) | brass |
| 971.118 | 18 m | polyurethane | 60 °C | 5/16" | 8 x 12 mm | G 3/8" (m) | G 1/4" (m) | brass |
| 971.120 | 20 m | polyurethane | 60 °C | 5/16" | 8 x 12 mm | G 3/8" (m) | G 1/4" (m) | brass |
| 972.113 | 13 m | polyurethane | 60 °C | 3/8" | 10 x 14,5 mm | G 3/8" (m) | G 3/8" (m) | brass |
| 972.115 | 15 m | polyurethane | 60 °C | 3/8" | 10 x 14,5 mm | G 3/8" (m) | G 3/8" (m) | brass |
| 972.120 | 20 m | polyurethane | 60 °C | 3/8" | 10 x 14,5 mm | G 3/8" (m) | G 3/8" (m) | brass |
| 976.108 | 8 m | polyurethane | 60 °C | 1/2" | 13 x 19 mm | G 1/2" (m) | G 1/2" (m) | brass |
| 976.110 | 10 m | polyurethane | 60 °C | 1/2" | 13 x 19 mm | G 1/2" (m) | G 1/2" (m) | brass |
| 976.111 | 10 m | polyurethane | 60 °C | 1/2" | 13 x 19 mm | G 1/2" (f) | G 1/2" (m) | brass |
| 976.112 | 12 m | polyurethane | 60 °C | 1/2" | 13 x 19 mm | G 1/2" (m) | G 1/2" (m) | brass |
| 976.114 | 15 m | polyurethane | 60 °C | 1/2" | 13 x 19 mm | G 1/2" (m) | G 1/2" (m) | brass |
| 976.115 | 15 m | polyurethane | 60 °C | 1/2" | 13 x 19 mm | G 1/2" (f) | G 1/2" (m) | brass |
| 993.215 | 15 m | black rubber | 80 °C | 1/4" | 6,5 x 12,6 mm | G 3/8" (m) | G 1/4" (m) | galvanized steel |
| 995.210 | 10 m | black rubber | 80 °C | 3/8" | 9,5 x 17 mm | G 3/8" (m) | G 3/8" (m) | galvanized steel |
| 995.211 | 12 m | black rubber | 80 °C | 3/8" | 9,5 x 16 mm | G 3/8" (m) | G 3/8" (m) | galvanized steel |
| 995.212 | 12 m | black rubber | 80 °C | 3/8" | 9,5 x 16 mm | G 3/8" (f) | G 3/8" (m) | galvanized steel |
| 995.217 | 18 m | black rubber | 80 °C | 3/8" | 9,5 x 16 mm | G 3/8" (m) | G 3/8" (m) | galvanized steel |
| 995.218 | 18 m | black rubber | 80 °C | 3/8" | 9,5 x 16 mm | G 3/8" (f) | G 3/8" (m) | galvanized steel |
| 996.210 | 10 m | black rubber | 80 °C | 1/2" | 12,7 x 20 mm | G 1/2" (f) | G 1/2" (m) | galvanized steel |
| 996.215 | 15 m | black rubber | 80 °C | 1/2" | 12,7 x 20 mm | G 1/2" (f) | G 1/2" (m) | galvanized steel |
| 996.220 | 20 m | black rubber | 80 °C | 1/2" | 12,7 x 20 mm | G 1/2" (f) | G 1/2" (m) | galvanized steel |
| 996.225 | 25 m | black rubber | 80 °C | 1/2" | 12,7 x 20 mm | G 1/2" (f) | G 1/2" (m) | galvanized steel |
| 996.230 | 30 m | black rubber | 80 °C | 1/2" | 12,7 x 20 mm | G 1/2" (f) | G 1/2" (m) | galvanized steel |
| 997.215 | 15 m | black rubber | 80 °C | 3/4" | 19 x 26,5 mm | G 3/4" (f) | G 3/4" (m) | galvanized steel |
| 997.220 | 20 m | black rubber | 80 °C | 3/4" | 19 x 26,5 mm | G 3/4" (f) | G 3/4" (m) | galvanized steel |
| 997.230 | 30 m | black rubber | 80 °C | 3/4" | 19 x 26,5 mm | G 3/4" (f) | G 3/4" (m) | galvanized steel |
| 997.240 | 40 m | black rubber | 80 °C | 3/4" | 19 x 26,5 mm | G 3/4" (f) | G 3/4" (m) | galvanized steel |
| 998.215 | 15 m | black rubber | 80 °C | 1" | 25,4 x 32,5 mm | G 1" (f) | G 1" (m) | galvanized steel |
| 998.220 | 20 m | black rubber | 80 °C | 1" | 25,4 x 32,5 mm | G 1" (f) | G 1" (m) | galvanized steel |
| 998.230 | 30 m | black rubber | 80 °C | 1" | 25,4 x 32,5 mm | G 1" (f) | G 1" (m) | galvanized steel |

Hot water 50 bar

| P/N | Hose length | Hose characteristics | Max. working temperature | Hose ø | Dimensions - internal ø x external ø | Inlet | Outlet | Connections |
|---------|-------------|----------------------|--------------------------|--------|--------------------------------------|----------|----------|------------------|
| 998.315 | 15 m | black rubber | 80 °C | 1" | 25,4 x 31,5 mm | G 1" (f) | G 1" (m) | galvanized steel |
| 998.330 | 30 m | black rubber | 80 °C | 1" | 25,4 x 31,5 mm | G 1" (f) | G 1" (m) | galvanized steel |

Hot water 100 bar

| P/N | Hose length | Hose characteristics | Max. working temperature | Hose ø | Dimensions - internal ø x external ø | Inlet | Outlet | Connections |
|---------|-------------|----------------------|--------------------------|--------|--------------------------------------|------------|------------|------------------|
| 995.313 | 12 m | black rubber | 80 °C | 3/8" | 9,5 x 15 mm | G 3/8" (m) | G 3/8" (m) | galvanized steel |
| 995.318 | 17 m | black rubber | 80 °C | 3/8" | 9,5 x 15 mm | G 3/8" (m) | G 3/8" (m) | galvanized steel |
| 995.412 | 12 m | hygienic | 130 °C | 3/8" | 9,5 x 15 mm | G 3/8" (m) | G 3/8" (m) | galvanized steel |
| 996.311 | 10 m | black rubber | 80 °C | 1/2" | 12,7 x 18,5 mm | G 1/2" (f) | G 1/2" (m) | galvanized steel |
| 996.316 | 15 m | black rubber | 80 °C | 1/2" | 12,7 x 18,5 mm | G 1/2" (f) | G 1/2" (m) | galvanized steel |
| 996.321 | 20 m | black rubber | 80 °C | 1/2" | 12,7 x 18,5 mm | G 1/2" (f) | G 1/2" (m) | galvanized steel |
| 996.415 | 15 m | hygienic | 130 °C | 1/2" | 12,7 x 18,5 mm | G 1/2" (f) | G 1/2" (m) | galvanized steel |
| 996.425 | 25 m | hygienic | 130 °C | 1/2" | 12,7 x 18,5 mm | G 1/2" (f) | G 1/2" (m) | galvanized steel |
| 997.320 | 20 m | black rubber | 80 °C | 3/4" | 19 x 25 mm | G 3/4" (f) | G 3/4" (m) | galvanized steel |
| 997.420 | 20 m | hygienic | 130 °C | 3/4" | 19 x 25 mm | G 3/4" (f) | G 3/4" (m) | galvanized steel |

Hot water 200 bar

| P/N | Hose length | Hose characteristics | Max. working temperature | Hose ø | Dimensions - internal ø x external ø | Inlet | Outlet | Connections |
|---------|-------------|----------------------|--------------------------|--------|--------------------------------------|------------|------------|------------------|
| 994.512 | 12 m | black rubber | 130 °C | 5/16" | 8 x 15 mm | G 3/8" (m) | G 3/8" (f) | galvanized steel |
| 994.517 | 17 m | black rubber | 130 °C | 5/16" | 8 x 15 mm | G 3/8" (m) | G 3/8" (f) | galvanized steel |
| 994.612 | 12 m | hygienic | 130 °C | 5/16" | 8 x 15 mm | G 3/8" (m) | G 3/8" (f) | galvanized steel |
| 995.512 | 12 m | black rubber | 130 °C | 3/8" | 9,5 x 17 mm | G 3/8" (f) | G 3/8" (f) | galvanized steel |
| 995.518 | 18 m | black rubber | 130 °C | 3/8" | 9,5 x 17 mm | G 3/8" (f) | G 3/8" (f) | galvanized steel |
| 995.520 | 20 m | black rubber | 130 °C | 3/8" | 9,5 x 17 mm | G 3/8" (f) | G 3/8" (f) | galvanized steel |
| 995.525 | 25 m | black rubber | 130 °C | 3/8" | 9,5 x 17 mm | G 3/8" (f) | G 3/8" (f) | galvanized steel |
| 995.530 | 30 m | black rubber | 130 °C | 3/8" | 9,5 x 17 mm | G 3/8" (f) | G 3/8" (f) | galvanized steel |
| 995.540 | 40 m | black rubber | 130 °C | 3/8" | 9,5 x 17 mm | G 3/8" (f) | G 3/8" (f) | galvanized steel |
| 995.550 | 50 m | black rubber | 130 °C | 3/8" | 9,5 x 17 mm | G 3/8" (f) | G 3/8" (f) | galvanized steel |
| 995.618 | 18 m | hygienic | 130 °C | 3/8" | 9,5 x 17 mm | G 3/8" (f) | G 3/8" (f) | galvanized steel |
| 995.625 | 25 m | hygienic | 130 °C | 3/8" | 9,5 x 17 mm | G 3/8" (f) | G 3/8" (f) | galvanized steel |
| 995.630 | 30 m | hygienic | 130 °C | 3/8" | 9,5 x 17 mm | G 3/8" (f) | G 3/8" (f) | galvanized steel |

Hot water 400 bar

| P/N | Hose length | Hose characteristics | Max. working temperature | Hose ø | Dimensions - internal ø x external ø | Inlet | Outlet | Connections |
|---------|-------------|----------------------|--------------------------|--------|--------------------------------------|------------|------------|------------------|
| 994.717 | 17 m | black rubber | 130 °C | 5/16" | 8 x 16 mm | G 3/8" (m) | G 3/8" (f) | galvanized steel |
| 995.815 | 15 m | black rubber | 130 °C | 3/8" | 9,5 x 17,5 mm | G 3/8" (f) | G 3/8" (f) | galvanized steel |
| 995.820 | 20 m | black rubber | 130 °C | 3/8" | 9,5 x 17,5 mm | G 3/8" (f) | G 3/8" (f) | galvanized steel |
| 995.825 | 25 m | black rubber | 130 °C | 3/8" | 9,5 x 17,5 mm | G 3/8" (f) | G 3/8" (f) | galvanized steel |
| 995.915 | 15 m | hygienic | 130 °C | 3/8" | 9,5 x 17,5 mm | G 3/8" (f) | G 3/8" (f) | galvanized steel |
| 995.925 | 25 m | hygienic | 130 °C | 3/8" | 9,5 x 17,5 mm | G 3/8" (f) | G 3/8" (f) | galvanized steel |

Oil and similar 50 bar

| P/N | Hose length | Hose characteristics | Max. working temperature | Hose ø | Dimensions - internal ø x external ø | Inlet | Outlet | Connections |
|----------|-------------|----------------------|--------------------------|--------|--------------------------------------|----------|----------|------------------|
| 998.3310 | 10 m | black rubber | 80 °C | 1" | 25,4 x 33,5 mm | G 1" (m) | G 1" (f) | galvanized steel |
| 998.3315 | 15 m | black rubber | 80 °C | 1" | 25,4 x 33,5 mm | G 1" (f) | G 1" (m) | galvanized steel |
| 998.3320 | 20 m | black rubber | 80 °C | 1" | 25,4 x 33,5 mm | G 1" (m) | G 1" (f) | galvanized steel |
| 998.3330 | 30 m | black rubber | 80 °C | 1" | 25,4 x 33,5 mm | G 1" (f) | G 1" (m) | galvanized steel |

Oil and similar 100 bar

| P/N | Hose length | Hose characteristics | Max. working temperature | Hose ø | Dimensions - internal ø x external ø | Inlet | Outlet | Connections |
|----------|-------------|----------------------|--------------------------|--------|--------------------------------------|------------|------------|------------------|
| 997.3308 | 8 m | black rubber | 80 °C | 3/4" | 19 x 26,5 mm | G 3/4" (m) | G 1/2" (f) | galvanized steel |
| 997.3312 | 12 m | black rubber | 80 °C | 3/4" | 19 x 26,5 mm | G 3/4" (m) | G 3/4" (f) | galvanized steel |
| 997.3315 | 15 m | black rubber | 80 °C | 3/4" | 19 x 26,5 mm | G 3/4" (f) | G 3/4" (m) | galvanized steel |
| 997.3320 | 20 m | black rubber | 80 °C | 3/4" | 19 x 26,5 mm | G 3/4" (f) | G 3/4" (m) | galvanized steel |
| 997.3330 | 30 m | black rubber | 80 °C | 3/4" | 19 x 26,5 mm | G 3/4" (m) | G 3/4" (f) | galvanized steel |
| 997.3340 | 40 m | black rubber | 80 °C | 3/4" | 19 x 26,5 mm | G 3/4" (m) | G 3/4" (f) | galvanized steel |
| 999.3310 | 10 m | black rubber | 80 °C | 5/8" | 16 x 23 mm | G 1/2" (f) | G 3/4" (m) | galvanized steel |

Oil and similar 150 bar

| P/N | Hose length | Hose characteristics | Max. working temperature | Hose ø | Dimensions - internal ø x external ø | Inlet | Outlet | Connections |
|---------|-------------|----------------------|--------------------------|--------|--------------------------------------|------------|------------|------------------|
| 995.312 | 12 m | black rubber | 80 °C | 3/8" | 9,5 x 16 mm | G 3/8" (m) | G 1/2" (m) | galvanized steel |
| 995.317 | 17 m | black rubber | 80 °C | 3/8" | 9,5 x 16 mm | G 3/8" (m) | G 1/2" (m) | galvanized steel |
| 996.310 | 10 m | black rubber | 80 °C | 1/2" | 12,7 x 19 mm | G 1/2" (f) | G 1/2" (m) | galvanized steel |
| 996.315 | 15 m | black rubber | 80 °C | 1/2" | 12,7 x 19 mm | G 1/2" (f) | G 1/2" (m) | galvanized steel |
| 996.320 | 20 m | black rubber | 80 °C | 1/2" | 12,7 x 19 mm | G 1/2" (f) | G 1/2" (m) | galvanized steel |
| 996.325 | 25 m | black rubber | 80 °C | 1/2" | 12,7 x 19 mm | G 1/2" (f) | G 1/2" (m) | galvanized steel |
| 996.330 | 30 m | black rubber | 80 °C | 1/2" | 12,7 x 19 mm | G 1/2" (f) | G 1/2" (m) | galvanized steel |

Grease 400 bar

| P/N | Hose length | Hose characteristics | Max. working temperature | Hose ø | Dimensions - internal ø x external ø | Inlet | Outlet | Connections |
|---------|-------------|----------------------|--------------------------|--------|--------------------------------------|------------|------------|------------------|
| 993.511 | 12 m | black rubber | 80 °C | 1/4" | 6,3 x 17,5 mm | G 3/8" (m) | G 1/4" (m) | galvanized steel |
| 993.512 | 12 m | black rubber | 80 °C | 1/4" | 6,3 x 17,5 mm | G 1/4" (f) | G 1/4" (m) | galvanized steel |
| 993.516 | 16 m | black rubber | 80 °C | 1/4" | 6,3 x 17,5 mm | G 3/8" (m) | G 1/4" (m) | galvanized steel |
| 993.518 | 18 m | black rubber | 80 °C | 1/4" | 6,3 x 17,5 mm | G 1/4" (f) | G 1/4" (m) | galvanized steel |
| 995.710 | 10 m | black rubber | 80 °C | 3/8" | 9,5 x 18 mm | G 3/8" (f) | G 1/4" (m) | galvanized steel |
| 995.715 | 15 m | black rubber | 80 °C | 3/8" | 9,5 x 18 mm | G 3/8" (f) | G 1/4" (m) | galvanized steel |
| 995.720 | 20 m | black rubber | 80 °C | 3/8" | 9,5 x 18 mm | G 3/8" (f) | G 1/4" (m) | galvanized steel |
| 995.725 | 25 m | black rubber | 80 °C | 3/8" | 9,5 x 18 mm | G 3/8" (f) | G 1/4" (m) | galvanized steel |
| 995.730 | 30 m | black rubber | 80 °C | 3/8" | 9,5 x 18 mm | G 3/8" (f) | G 1/4" (m) | galvanized steel |

Diesel 10 bar

| P/N | Hose length | Hose characteristics | Max. working temperature | Hose ø | Dimensions - internal ø x external ø | Inlet | Outlet | Connections |
|---------|-------------|----------------------|--------------------------|--------|--------------------------------------|------------|------------|------------------|
| 997.808 | 8 m | black rubber | 80 °C | 3/4" | 19 x 27 mm | G 1/2" (f) | G 3/4" (m) | galvanized steel |
| 997.812 | 12 m | black rubber | 80 °C | 3/4" | 19 x 27 mm | G 1/2" (f) | G 1/2" (m) | galvanized steel |
| 997.815 | 15 m | black rubber | 80 °C | 3/4" | 19 x 27 mm | G 3/4" (f) | G 3/4" (m) | galvanized steel |
| 997.820 | 20 m | black rubber | 80 °C | 3/4" | 19 x 27 mm | G 3/4" (f) | G 3/4" (m) | galvanized steel |
| 997.840 | 40 m | black rubber | 80 °C | 3/4" | 19 x 27 mm | G 3/4" (f) | G 3/4" (m) | galvanized steel |
| 998.808 | 8 m | black rubber | 80 °C | 1" | 25 x 35 mm | G 1" (f) | G 1" (m) | galvanized steel |
| 998.815 | 15 m | black rubber | 80 °C | 1" | 25 x 35 mm | G 1" (f) | G 1" (m) | galvanized steel |
| 998.820 | 20 m | black rubber | 80 °C | 1" | 25 x 35 mm | G 1" (f) | G 1" (m) | galvanized steel |
| 998.830 | 30 m | black rubber | 80 °C | 1" | 25 x 35 mm | G 1" (f) | G 1" (m) | galvanized steel |
| 999.810 | 10 m | black rubber | 80 °C | 5/8" | 16 x 23 mm | G 1/2" (f) | G 3/4" (m) | galvanized steel |

AdBlue® 10 bar

| P/N | Hose length | Hose characteristics | Max. working temperature | Hose ø | Dimensions - internal ø x external ø | Inlet | Outlet | Connections |
|---------|-------------|----------------------|--------------------------|--------|--------------------------------------|------------|------------|-------------------|
| 987.208 | 8 m | Antistatic EPDM | 80 °C | 3/4" | 19 x 27 mm | G 1/2" (f) | G 3/4" (m) | AISI 316 s. steel |
| 987.210 | 10 m | Antistatic EPDM | 80 °C | 3/4" | 19 x 27 mm | G 3/4" (f) | G 3/4" (m) | AISI 316 s. steel |
| 987.215 | 15 m | Antistatic EPDM | 80 °C | 3/4" | 19 x 27 mm | G 3/4" (f) | G 3/4" (m) | AISI 316 s. steel |

Welding 20 bar - EN ISO 3821

| P/N | Hose length | Hose characteristics | Hose ø | Dimensions - internal ø x external ø | Inlet | Outlet | Connections |
|---------|-------------|----------------------|-----------|--------------------------------------|------------|------------|-------------|
| 973.913 | 13 m | SBR/EPDM | 2 x 1/4" | 2 x (6,3 x 13) mm | G 3/8" (f) | G 3/8" (f) | brass |
| 973.917 | 17 m | SBR/EPDM | 2 x 1/4" | 2 x (6,3 x 13) mm | G 3/8" (f) | G 3/8" (f) | brass |
| 973.920 | 20 m | SBR/EPDM | 2 x 1/4" | 2 x (6,3 x 13) mm | G 3/8" (f) | G 3/8" (f) | brass |
| 973.925 | 25 m | SBR/EPDM | 2 x 1/4" | 2 x (6,3 x 13) mm | G 3/8" (f) | G 3/8" (f) | brass |
| 973.930 | 30 m | SBR/EPDM | 2 x 1/4" | 2 x (6,3 x 13) mm | G 3/8" (f) | G 3/8" (f) | brass |
| 974.912 | 12 m | SBR/EPDM | 2 x 5/16" | 2 x (8 x 15) mm | G 3/8" (f) | G 3/8" (f) | brass |
| 974.915 | 15 m | SBR/EPDM | 2 x 5/16" | 2 x (8 x 15) mm | G 3/8" (f) | G 3/8" (f) | brass |
| 974.920 | 20 m | SBR/EPDM | 2 x 5/16" | 2 x (8 x 15) mm | G 3/8" (f) | G 3/8" (f) | brass |
| 974.925 | 25 m | SBR/EPDM | 2 x 5/16" | 2 x (8 x 15) mm | G 3/8" (f) | G 3/8" (f) | brass |
| 974.930 | 30 m | SBR/EPDM | 2 x 5/16" | 2 x (8 x 15) mm | G 3/8" (f) | G 3/8" (f) | brass |
| 975.915 | 15 m | SBR/EPDM | 2 x 3/8" | 2 x (9 x 16) mm | G 3/8" (f) | G 3/8" (f) | brass |
| 975.920 | 20 m | SBR/EPDM | 2 x 3/8" | 2 x (9 x 16) mm | G 3/8" (f) | G 3/8" (f) | brass |
| 975.927 | 27 m | SBR/EPDM | 2 x 3/8" | 2 x (9 x 16) mm | G 3/8" (f) | G 3/8" (f) | brass |

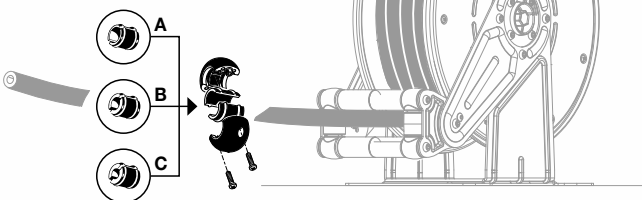
LPG-methane 20 bar - EN ISO 3821

| P/N | Hose length | Hose characteristics | Hose ø | Dimensions - internal ø x external ø | Inlet | Outlet | Connections |
|----------|-------------|----------------------|--------|--------------------------------------|---------------|---------------|-------------|
| 974.1008 | 8 m | NBR/PVC | 5/16" | 8 x 15 mm | G 3/8" (f) LH | G 3/8" (f) LH | brass |
| 974.1015 | 15 m | NBR/PVC | 5/16" | 8 x 15 mm | G 3/8" (f) LH | G 3/8" (f) LH | brass |
| 974.1020 | 20 m | NBR/PVC | 5/16" | 8 x 15 mm | G 3/8" (f) LH | G 3/8" (f) LH | brass |
| 974.1028 | 28 m | NBR/PVC | 5/16" | 8 x 15 mm | G 3/8" (f) LH | G 3/8" (f) LH | brass |
| 975.1010 | 10 m | NBR/PVC | 3/8" | 10 x 17 mm | G 3/8" (f) LH | G 3/8" (f) LH | brass |
| 975.1015 | 15 m | NBR/PVC | 3/8" | 10 x 17 mm | G 3/8" (f) LH | G 3/8" (f) LH | brass |
| 975.1018 | 18 m | NBR/PVC | 3/8" | 10 x 17 mm | G 3/8" (f) LH | G 3/8" (f) LH | brass |
| 975.1027 | 27 m | NBR/PVC | 3/8" | 10 x 17 mm | G 3/8" (f) LH | G 3/8" (f) LH | brass |
| 975.1030 | 30 m | NBR/PVC | 3/8" | 10 x 17 mm | G 3/8" (f) LH | G 3/8" (f) LH | brass |

HOSE STOP

Universal hose stop, supplied with all hose reels that come without hose, complete with adapters for the use of different diameter hoses.

Adapters for hoses of different diameters (supplied with the hose stop).



| P/N | Hose reel series | | ø Reduction |
|--------|------------------|---------------------------|-------------------------------------|
| KR7201 | 290 - 330 | Painted - Stainless steel | 12 - 14 - 16 mm |
| | 380 - 390 | | |
| KR8104 | 420 - 430 - 440 | Painted - Stainless steel | 14 - 17 - 19 mm |
| | 450 - 520 - 530 | | |
| KR8705 | 540 - 550 - 560 | Painted - Stainless steel | 14 - 17,5 - 21 28,5 - 30 - 34 mm |
| | | | |
| KR8907 | 420 - 520 - 540 | Twin hose | 12 - 14 - 15 - 16 mm |

FITTINGS TO CONNECT HOSES EXITING THE HOSE REEL

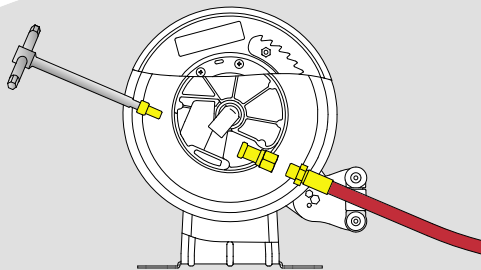


| Nipple, carbon steel | | |
|----------------------|-----------------------------|--------------------------------|
| Article | Thread dimensions | Thread type |
| 33114 | G 1" (m) x G 1/2" (m) | cylindrical/cylindrical thread |
| 33116 | G 1" (m) x G 1" (m) | cylindrical/cylindrical thread |
| 33117 | G 3/4" (m) x G 3/4" (m) | cylindrical/cylindrical thread |
| 33118 | G 1/2" (m) x G 3/4" (m) | tapered/cylindrical thread |
| 33119 | G 1" (m) x G 3/4" (m) | cylindrical/cylindrical thread |
| 33270 | G 1.1/2" (m) x G 3/4" (m) | cylindrical/cylindrical thread |
| 33271 | G 1.1/2" (m) x G 1" (m) | cylindrical/cylindrical thread |
| 33272 | G 1.1/2" (m) x G 1.1/4" (m) | cylindrical/cylindrical thread |
| 33273 | G 1.1/2" (m) x G 1.1/4" (f) | cylindrical/cylindrical thread |
| 33274 | G 1" (m) x G 1/2" (m) | cylindrical/cylindrical thread |
| 38071 | G 1/2" (m) x G 1/2" (m) | tapered/cylindrical thread |
| 38072 | G 1/2" (m) x G 3/8" (m) | cylindrical/cylindrical thread |
| 38073 | G 3/8" (m) x G 3/8" (m) | tapered/cylindrical thread |
| 38074 | G 1/2" (m) x G 1/2" (m) | cylindrical/cylindrical thread |
| 66891 | G 1/4" (m) x G 1/4" (m) | tapered/cylindrical thread |
| 66892 | G 1/4" (m) x G 3/8" (m) | cylindrical/cylindrical thread |
| 66893 | G 1/2" (m) x G 1/4" (m) | cylindrical/cylindrical thread |

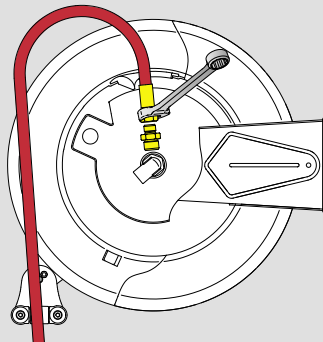
| Nipple, AISI 304 stainless steel | | |
|----------------------------------|-------------------------|--------------------------------|
| Article | Thread dimensions | Thread type |
| 33128 | G 1" (m) x G 3/4" (m) | cylindrical/cylindrical thread |
| 33129 | G 1" (m) x G 1" (m) | cylindrical/cylindrical thread |
| 33130 | G 3/4" (m) x G 3/4" (m) | cylindrical/cylindrical thread |
| 38120 | G 1/2" (m) x G 3/8" (m) | cylindrical/cylindrical thread |
| 38121 | G 1/2" (m) x G 1/2" (m) | cylindrical/cylindrical thread |
| 38122 | G 1/2" (m) x G 3/8" (m) | cylindrical/cylindrical thread |
| 38123 | G 1/2" (m) x G 3/8" (m) | tapered/cylindrical thread |
| 38124 | G 1/2" (m) x G 1/2" (m) | tapered/cylindrical thread |

| Nipple, AISI 316 stainless steel | | |
|----------------------------------|-------------------------|--------------------------------|
| Article | Thread dimensions | Thread type |
| 33131 | G 1" (m) x G 3/4" (m) | cylindrical/cylindrical thread |
| 33132 | G 1" (m) x G 1" (m) | cylindrical/cylindrical thread |
| 33133 | G 1" (m) x G 1/2" (m) | cylindrical/cylindrical thread |
| 38125 | G 1/2" (m) x G 3/4" (m) | cylindrical/cylindrical thread |

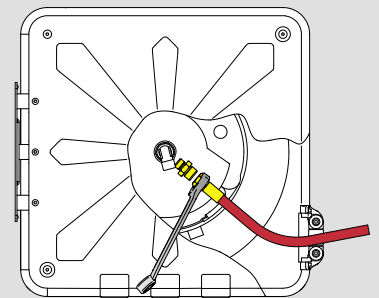
CONNECTING HOSES EXITING THE HOSE REEL



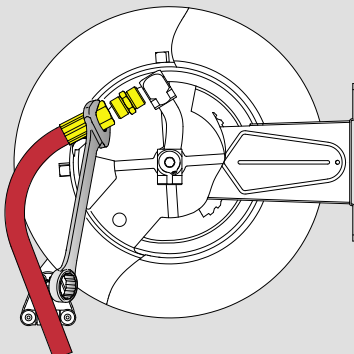
Series 290 - 330 - 380 - 390



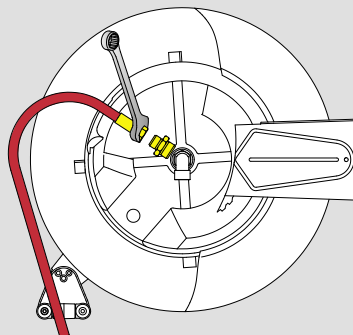
Series 420 - 430 - 520 - 530



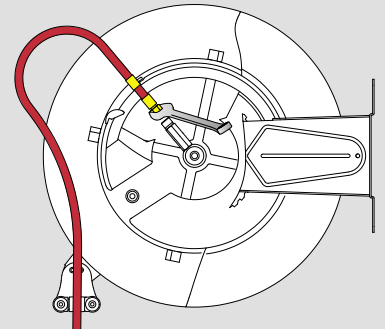
Series 440 - 450



Series 540-550-560
outlet 1"



Series 540-550-560
outlet 1/2"



Welding-gas series